

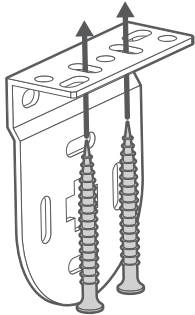
If you've upgraded your blind to our Twist2Fit™ no-drill system, please skip to page 2

Fitting the brackets

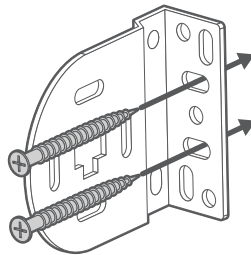
1

The brackets offer three methods of installation:

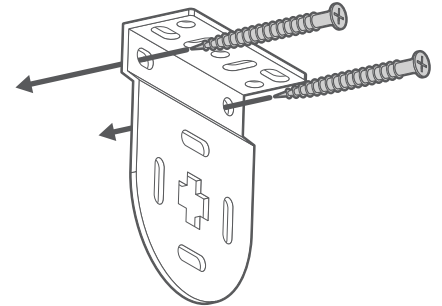
Top-Fixing



Face-Fixing



Side-Fixing



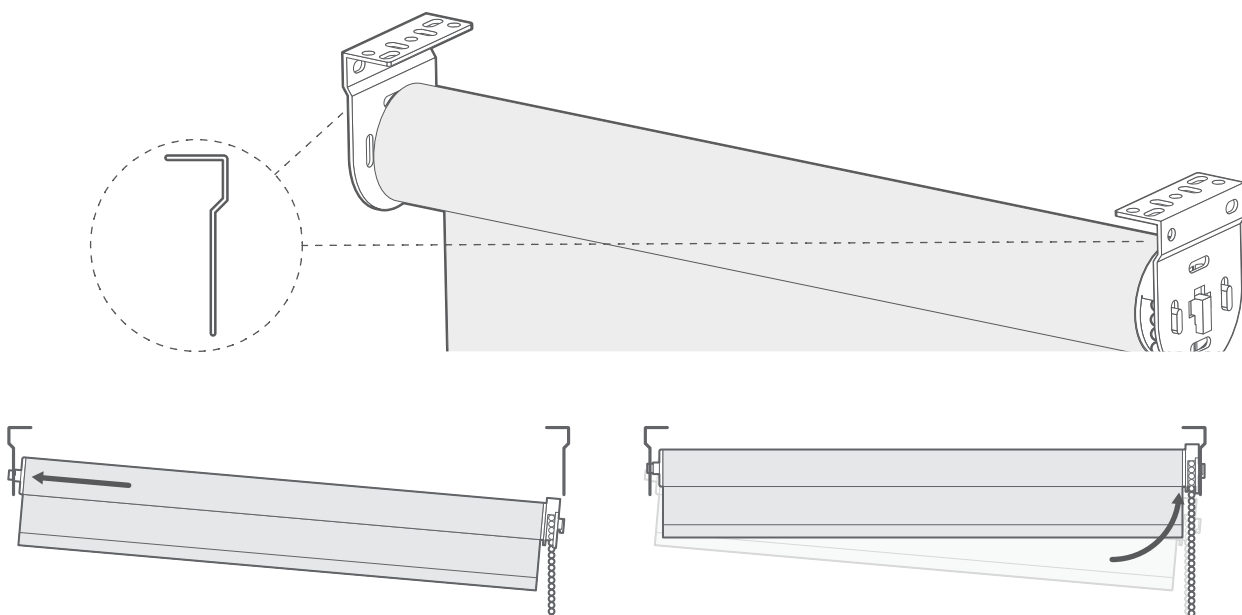
Top Tip

Top-fixing or face-fixing are recommended for most installations, whereas side-fixing is only recommended if the width you gave us was taken right at the top of the recess.



Fitting the blind

2

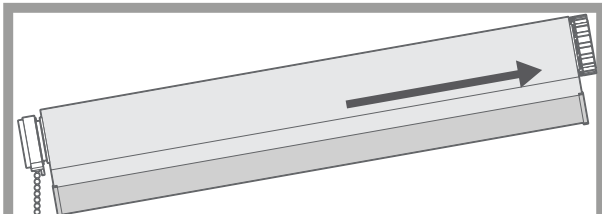


Locate the pin-end (the opposite end to the controls) of the blind into the central hole in the corresponding bracket. Lift the control end of the blind and slot the rectangular 'lugs' into the corresponding slots on the bracket.

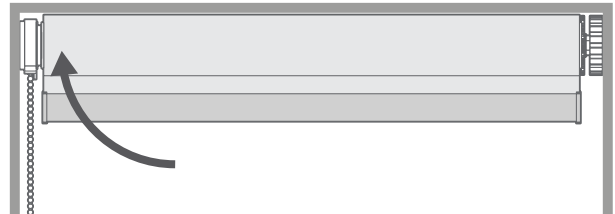
Fitting a Twist2Fit™ Roller Blind

3

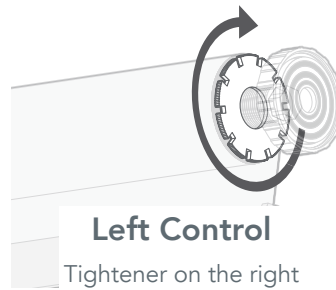
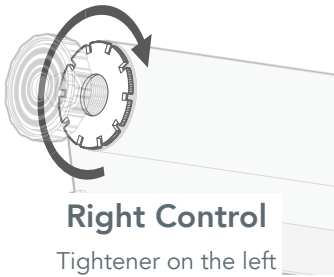
Insert the blind into the recess at an angle and push the tightener against the wall.



Lift the control end of the blind until level and release pressure, the blind will hold itself in place.



Make adjustments to the position of the blind so that it is straight and level, before locking it in place.

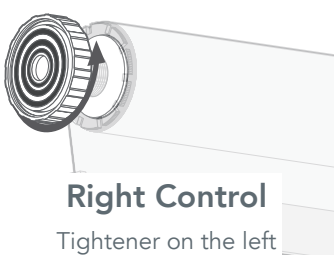


Hold the blind securely in place and turn the tightening wheel to tighten the blind in place.

Turn the wheel clockwise relative to the roller tube.

Top Tip

Make sure to tighten the wheel as much as possible to keep the blind secure and prevent slipping. However, avoid over-tightening, as it could lead to breakage.

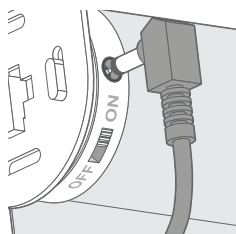


Once the blind is secured in place, turn the end cap until it locks against the tightening wheel. This will lock the tightening wheel in place.

Turn the cap anti-clockwise relative to the roller tube.

For SmartView Electric Roller Blinds

4



Once your blind is installed we recommend plugging in the motor to allow it to fully charge before use.

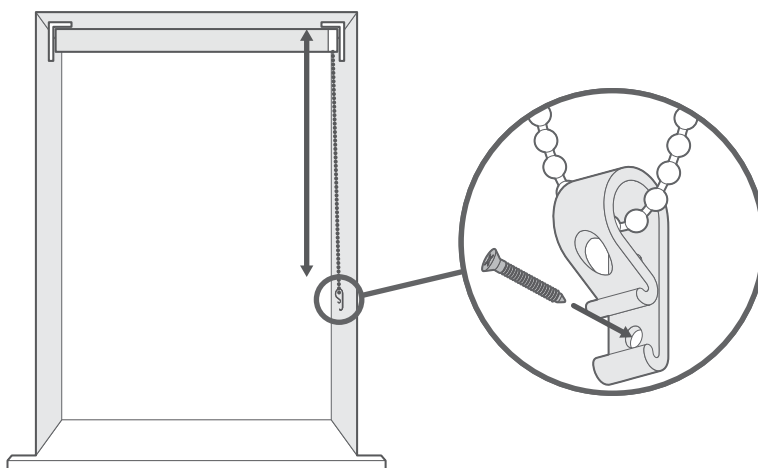
Plug the charging cable (included) into the motor charging port and allow to charge until the LED on the charger plug turns green.



On the front of the swing tag that comes with your blind, you'll find a handy QR code you can scan with your phone. Scan this to download the SmartView app - you'll be setting up your blinds in moments!

Child Safety

5



The cord retaining device must be installed at the maximum distance possible from the control mechanism to prevent looped cords from becoming slack.

Place the retaining device on the wall and mark the position of the screw hole(s) with a pencil.

Attach the retaining device to the wall using the fixings provided.