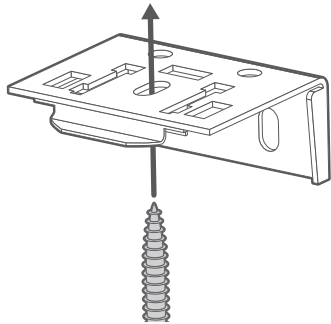


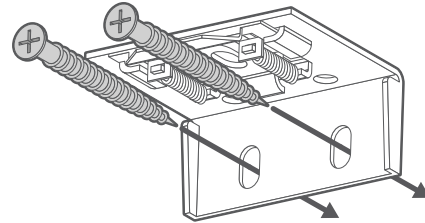
**Fitting the brackets or Click2Fit rail**

**Fitting standard brackets**



**Top-Fixing**

Use the single hole in the top of the bracket to fix to the lintel (the 'ceiling' of the recess).



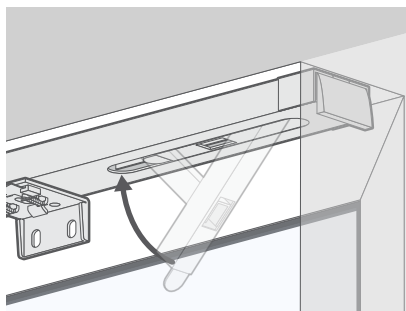
**Face-Fixing**

Use two screws through the back plate to mount onto a facing surface (a wall or window frame)

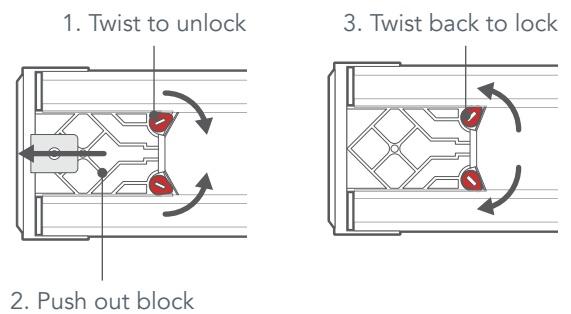


The outermost brackets should be mounted at least 50mm in from the ends of the blind. Any remaining brackets can be spaced evenly across the width of the blind.

**Fitting a Click2Fit rail**

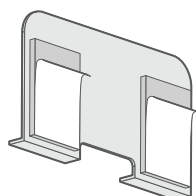


The brackets are already attached to the Click2Fit™ rail, so you don't need to install those. Hold rail up against the top of the recess, then push the lever firmly upwards until the rail snaps into place. If the rail is a little too tight, or after fitting you find that it's too loose, then this can be easily adjusted.

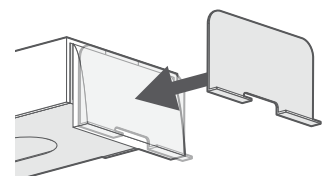


At the other end of the rail there is an adjustment block that allows you to fine-tune the tightness of the rail, if necessary. Use a flat-head screwdriver to twist the red plugs **in** toward the centre of the rail. Slide the block out by a few millimetres to tighten the fitting, or push it back into the rail to loosen. Then, twist the red plugs back into their original position to fix the block in place. **Make small adjustments only**, repeating as necessary for a tight fit.

Friction plates are also provided with the fittings, but these are only necessary if you find that the Click2Fit™ rail slips against the wall of your recess once the blind is fitted.

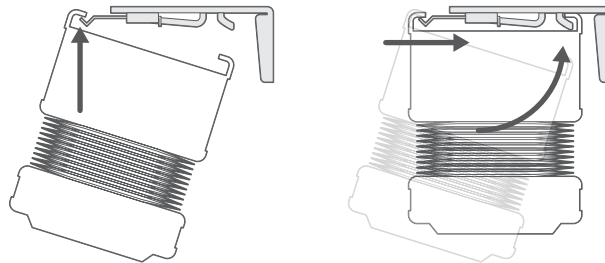
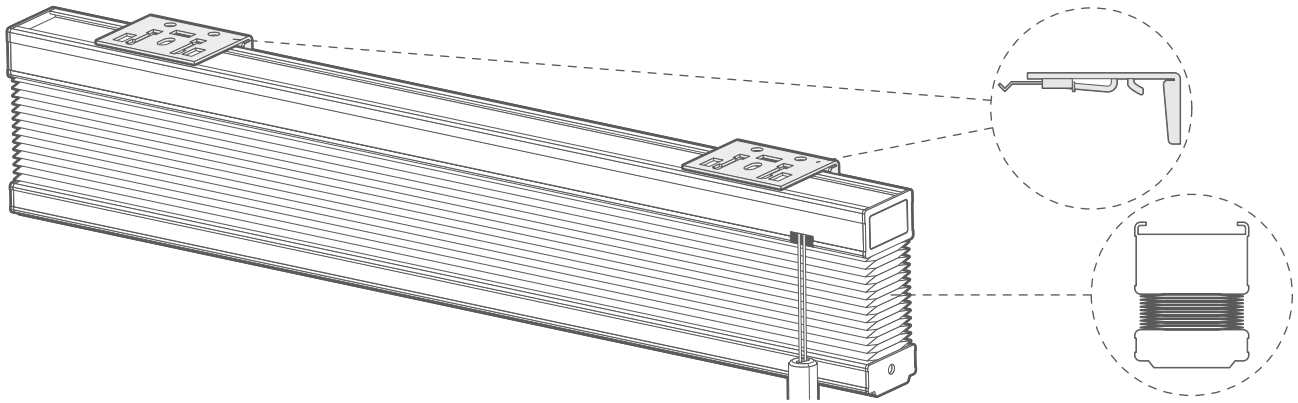


To fit them, peel the covers from the sticky pads on the back, then stick one to each end of the Click2Fit™ rail, as shown.



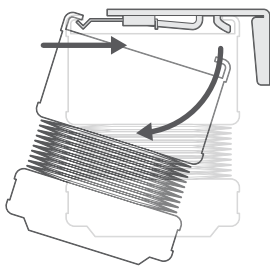
**Fitting the blind**

**2**



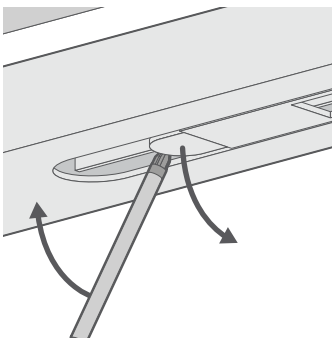
Situate the front lip of the headrail into the front of the bracket. Push the back of the headrail upwards to lock it into the back of the bracket.

**Removing a blind from the brackets**



To release the blind from the brackets, push firmly against the blind's headrail and at the same time, twist the back of the headrail downwards to release it.

**Removing a Click2Fit rail**



Remove the blind from the brackets, then use a screwdriver to gently pry the Click2Fit lever down until it releases.

**NOTE:** hold the centre of the Click2Fit rail whilst doing so as the rail will drop as soon as the lever releases. The lever will drop very suddenly when it releases to be sure to keep your hands clear of it as you do this.

## Child Safety

### Cord Condenser



Young children have died by wrapping loose curtain and blind cords or chains around their necks.

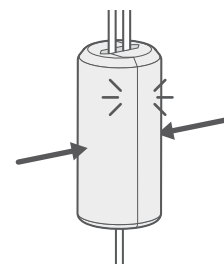
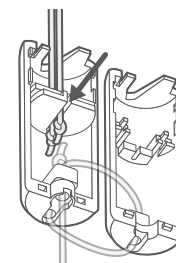
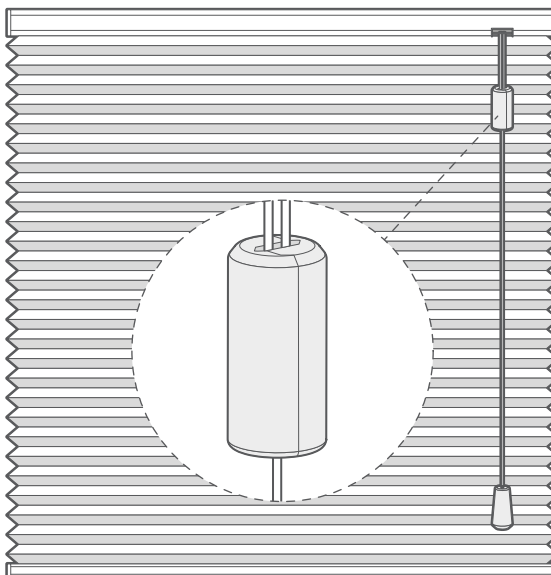


Secure cords or chains with cord guides or keep them out of reach by winding them around a cleat.

Move cots and furniture away from window covering cords or chains.

Do not remove this label.

**WARNING:** To avoid creating a possible strangulation hazard for children, the corded internal window covering must be installed in such a way that a loose cord cannot form a loop 220mm or longer at a height of less than 1600mm above floor level.



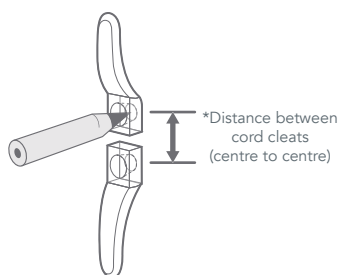
A breakaway cord condenser is pre-fitted to the lift cords so that when a horizontal force is applied to the cords above the condenser, it safely breaks away, eliminating any hazardous loops.

If the cord condenser is pulled apart then it's easy to put back together. Unwist the cords so that they're nice and straight, then slot the cords into the channel in the centre of one half of the condenser. If your condenser differs slightly from the diagram, don't worry, just slot any cords that aren't already tied into place inside in the same way. Then, click the two halves back together, ensuring there is no loose thread trapped at the edges of the condenser.

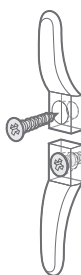
### Cord Safety Cleat

The safety cleat shall be installed as close to the headrail as possible and in all cases not less than 1500mm from the floor. The cord must be fully accumulated around the safety cleat(s) when the blind is not in use. Use the table below to determine the distance required between the cleats to fully accumulate the cords when the blind is fully raised.

Drop of blind	*Distance between cord cleats (centre to centre)
1-1000mm	100mm
1001-2000mm	150mm
2001-3000mm	300mm



Place the safety cleat in the desired position on the wall and mark the positions of the holes with a pencil.



Mark the hole positions and drill as required. Use the screws provided to attach the safety cleat to the wall.



Wrap the cords around the cord cleats in a figure of 8. When the cords are fully accumulated, ensure they are secure so that when any cord is pulled, no excess cord is released.