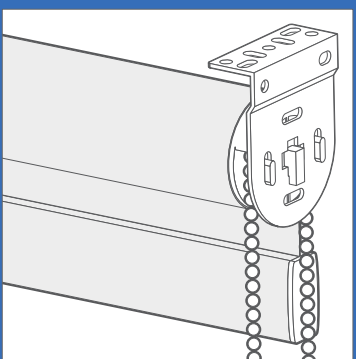
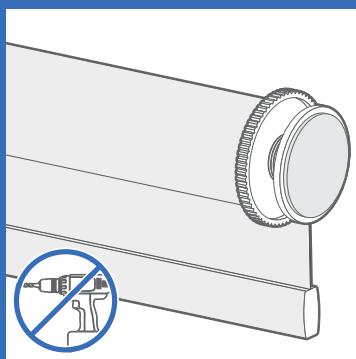


All of our Roller Blinds are provided with easy to fit components to make installation a breeze. Click on the finish you've chosen for your Roller Blind from the selection below to find a fitting guide tailored for your blind.



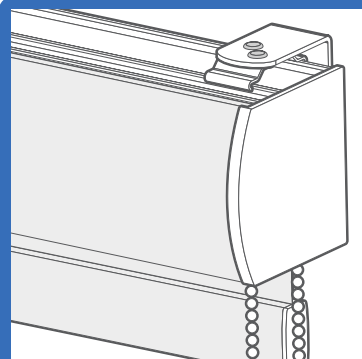
Standard

Provided with a robust and simple bobble-chain for raising and lowering, and universal brackets for versatile fitting.



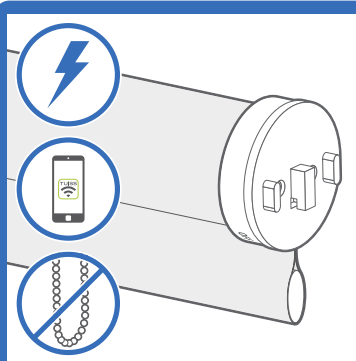
Twist2Fit

With a classic, user-friendly bobble chain for raising and lowering, and featuring our easy no-drill fitting system.



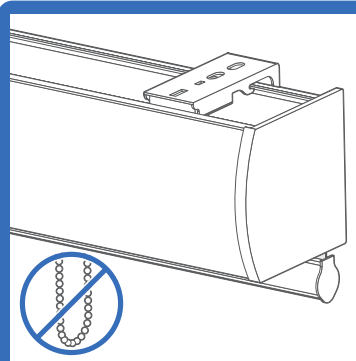
Cassette

A standard Roller Blind enclosed in a decorative cassette, with specially designed brackets for top and face fixing.



SmartView Electric

Powered by a rechargeable motor and controlled using the free SmartView app, installed using standard Roller brackets.



Zero Gravity

Featuring cord-free control thanks to a soft raise spring system, provided with brackets for top and face fixing.



Child Safety

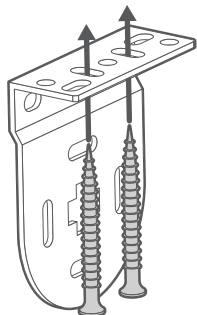
Important information regarding child safety devices supplied with your blinds.

Fitting the brackets

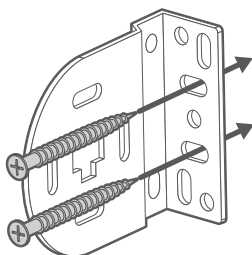
1

The brackets offer three methods of installation:

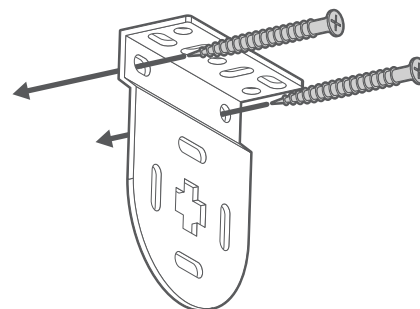
Top-Fixing



Face-Fixing



Side-Fixing



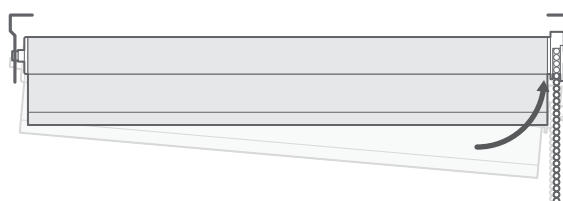
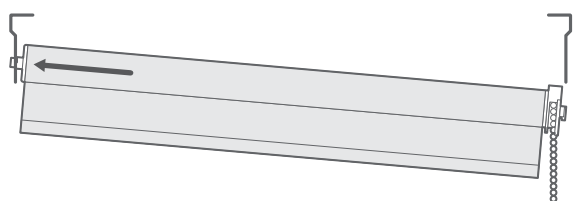
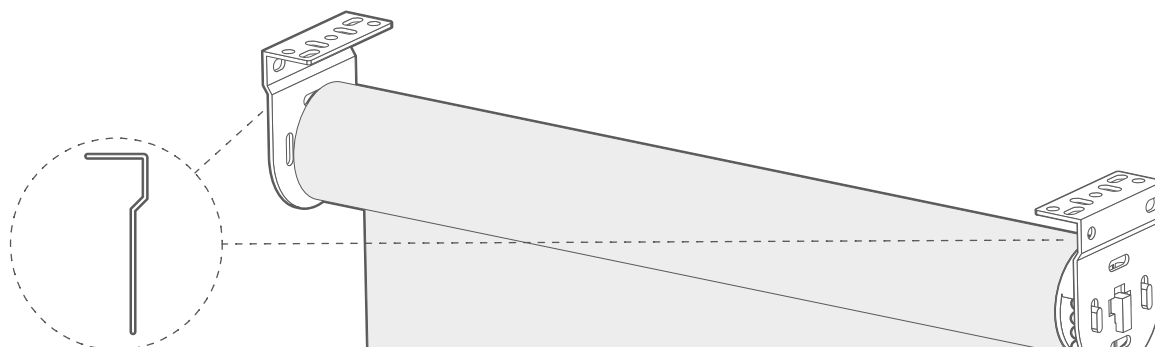
Top Tip

Top-fixing or face-fixing are recommended for most installations, whereas **side-fixing** is only recommended if the width you gave us was taken right at the top of the recess.



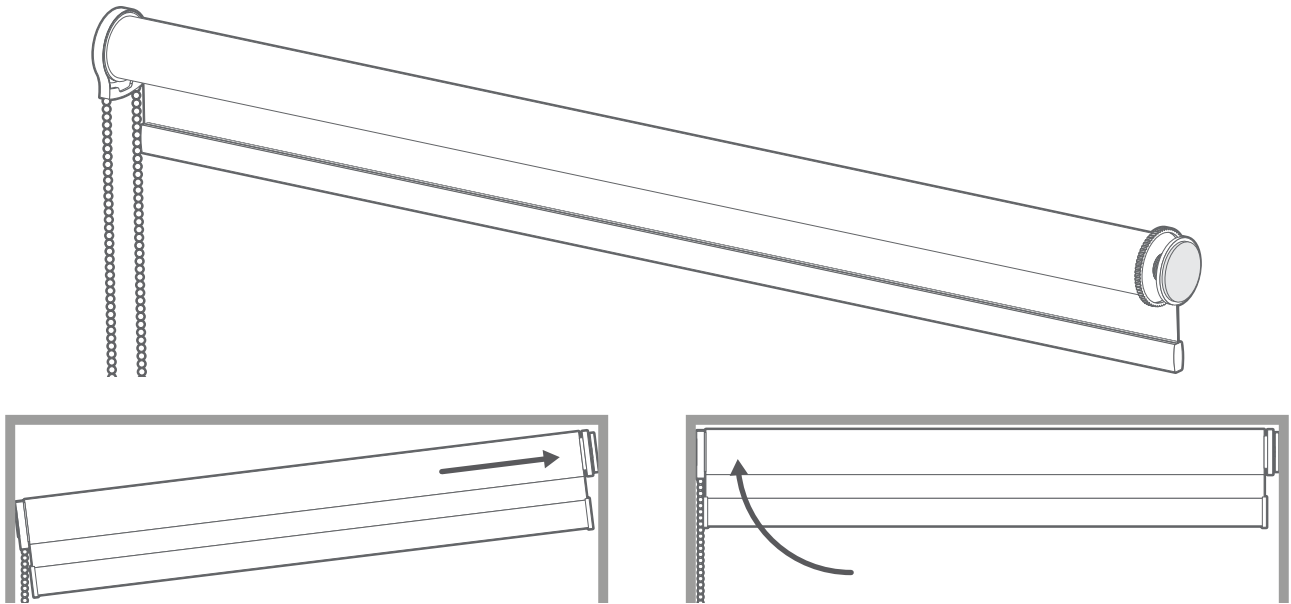
Fitting the blind

2



Locate the pin-end (the opposite end to the controls) of the blind into the central hole in the corresponding bracket. Lift the control end of the blind and slot the rectangular 'lugs' into the corresponding slots on the bracket.

Fitting the blind



Insert the blind into the recess at an angle and push the tightener against the wall. Lift the control end of the blind until level and release pressure, the blind will hold itself in place. Make adjustments to the position of the blind so that it is straight and level, before locking it in place.

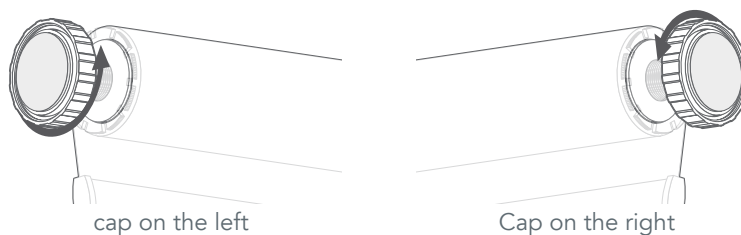


Hold the blind securely in place and turn the tightening wheel to tighten the blind in place.

If the tightener is on the left side of the blind turn it towards you. If it's on the right, turn it away from you.

Top Tip

Make sure that you tighten the wheel as much as you possibly can so that the blind remains secure and does not slip. If you find that the 'foot' of the mechanism that presses against the wall is spinning as you try to tighten, take the blind out of the window, tighten it a little, then push it back into place and try again. However, avoid over-tightening, as it could lead to breakage.



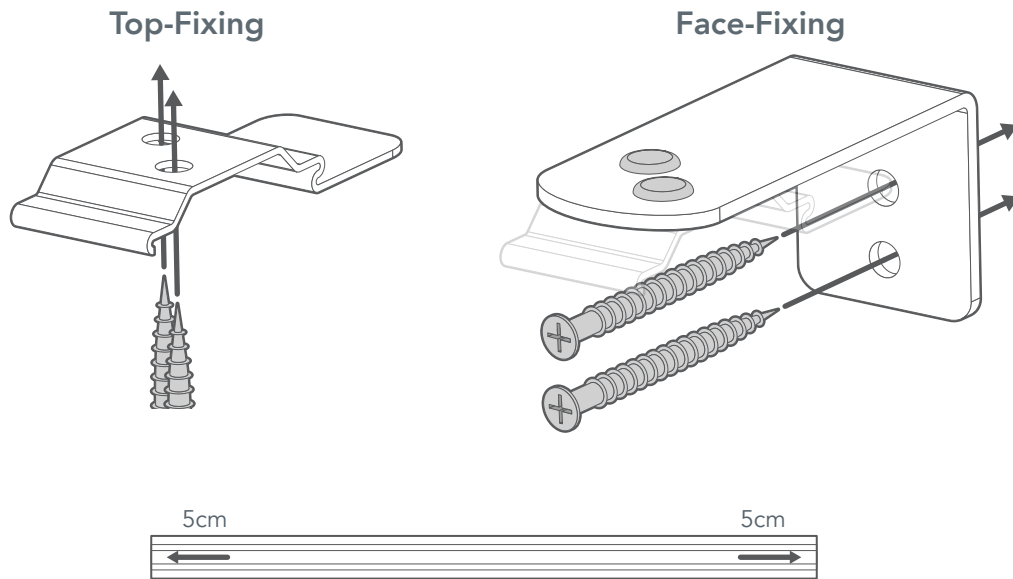
Once the blind is secured, turn the end cap until it locks against the tightening wheel. This will lock the tightening wheel in place.

If the cap is on the left side of the blind turn it away from you. If it's on the right, turn it towards you.

Fitting the brackets

1

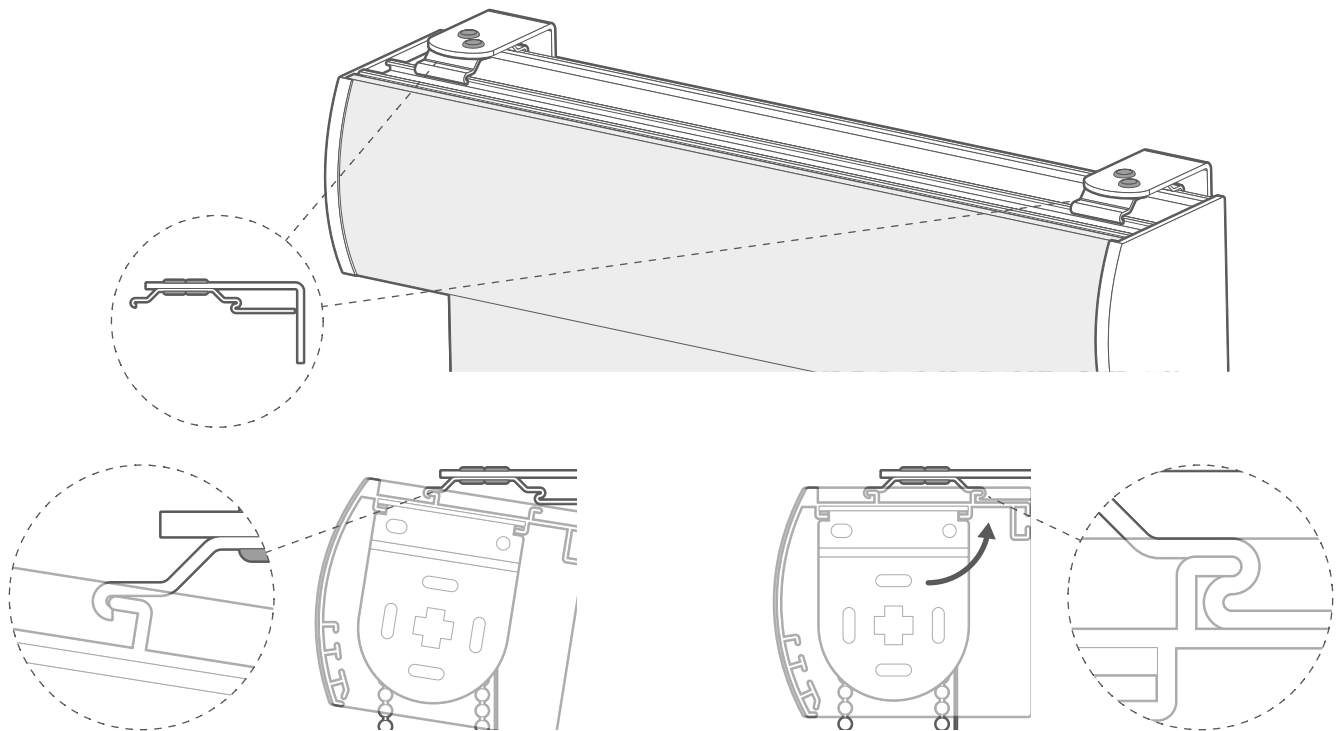
The brackets offer two methods of installation:



Note that the position of the outermost brackets should be at least 5cm away from the ends of the rail, with any other brackets evenly distributed across the width.

Fitting the blind

2



To fit the cassette into the bracket, hold the cassette at an angle and locate the central 'lip' along the top of the cassette, onto the front 'hook' of the bracket.

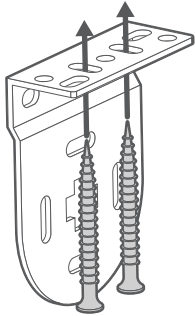
Now raise the back of the cassette up and push up firmly into the brackets until you hear them 'snap' into place.

Fitting the brackets

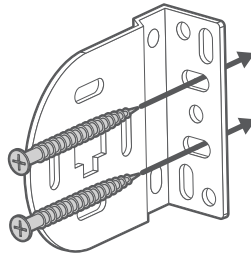
1

The brackets offer three methods of installation:

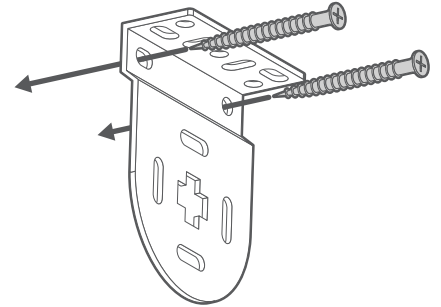
Top-Fixing



Face-Fixing

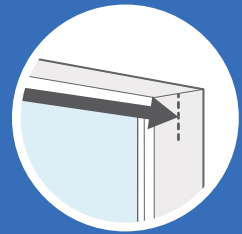


Side-Fixing



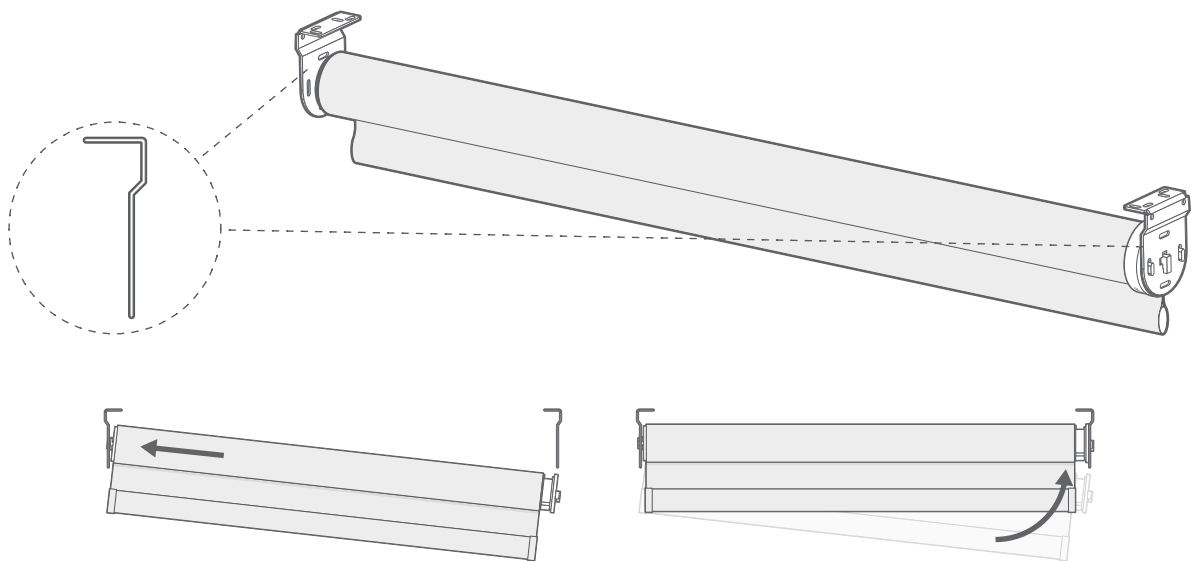
Top Tip

Top-fixing or face-fixing are recommended for most installations, whereas side-fixing is only recommended if the width you gave us was taken right at the top of the recess.

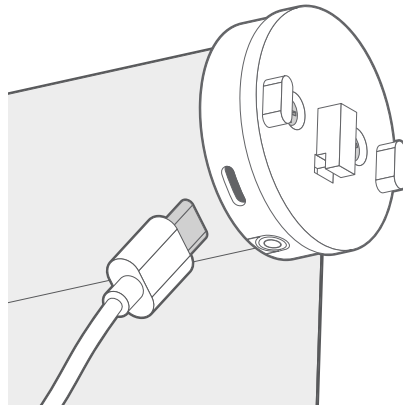


Fitting the blind

2



Locate the pin-end (the opposite end to the motor) of the blind into the central hole in the corresponding bracket. Lift the motor end of the blind and slot the rectangular 'lugs' into the corresponding slots on the bracket.



Once your blinds are installed we recommend plugging in the motor to allow them to fully charge before use. Plug the charging cable (included) into the motor charging port and allow to charge until the LED on the charger plug turns green.

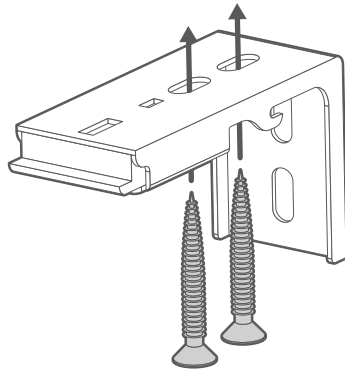


On the front of the swing tag that comes with each blind, you'll find a handy QR code you can scan with your phone. Scan this to download the SmartView app - you'll be setting up your blinds in moments!

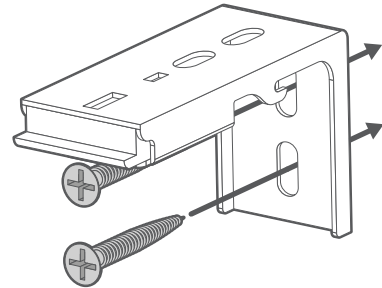
Fitting the brackets

1

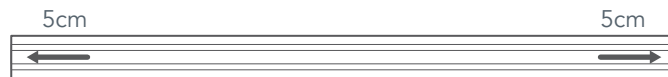
The brackets offer two methods of fitting:



Top-fix



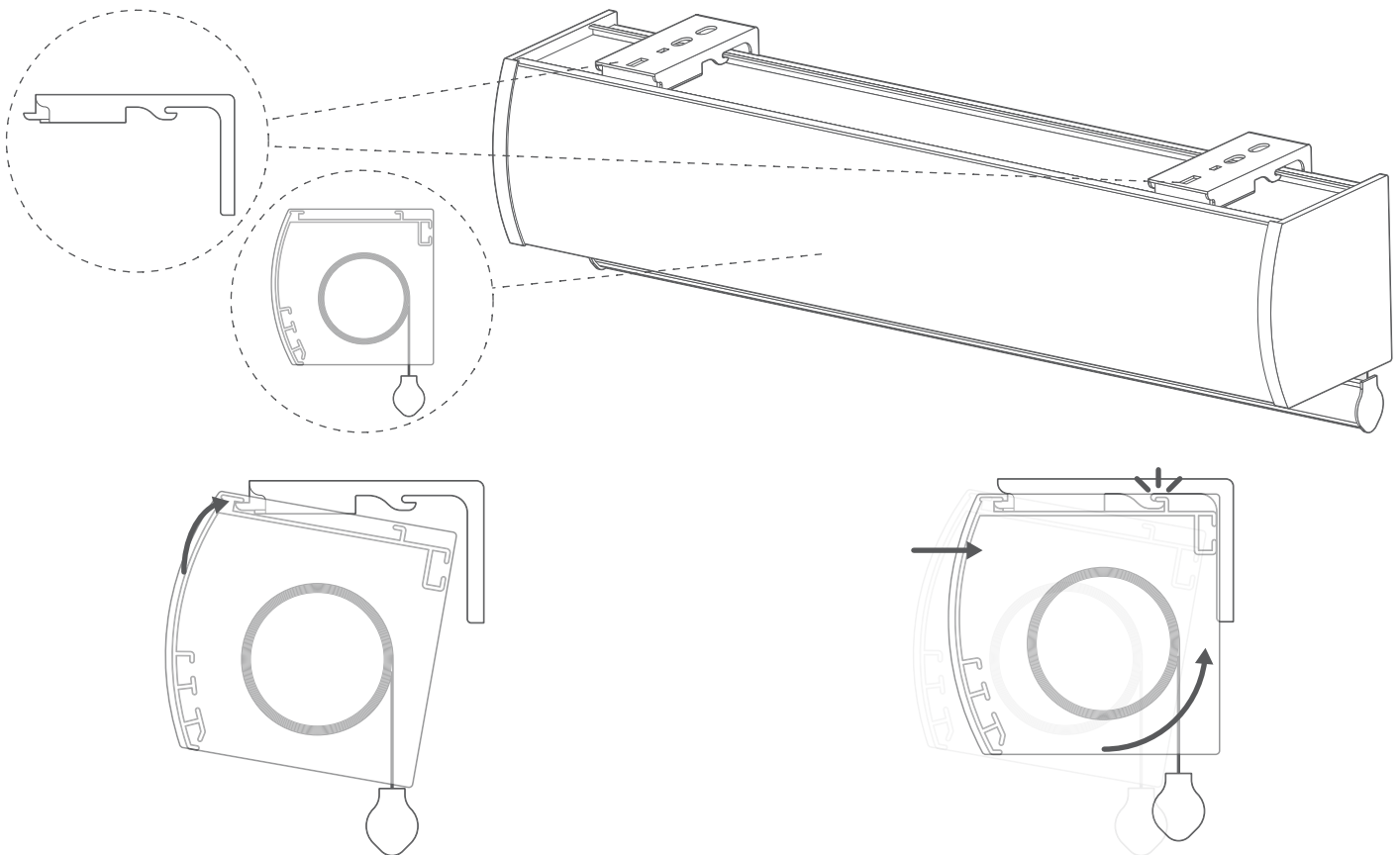
Face-fix



Note that the position of the outermost brackets should be at least 5cm away from the ends of the rail, with any other brackets evenly distributed across the width.

Fitting the blind

2




Hook the the 'lip' at the front of the blind's cassette onto the front hook of the bracket.

Push the blind back against the bracket whilst raising the back of the cassette. Push up into the bracket until it 'snaps' into place.


Child Safety

Not applicable for SmartView or Zero Gravity Roller Blinds



WARNING

Young children have died by wrapping loose curtain and blind cords or chains around their necks.

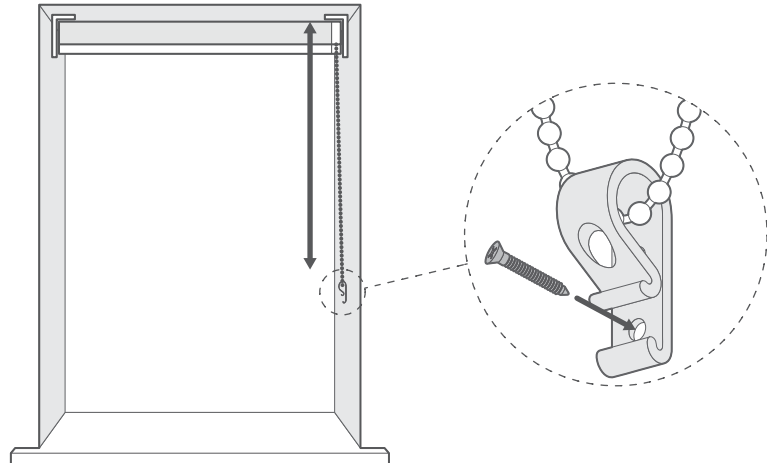


Secure cords or chains with cord guides or keep them out of reach by winding them around a cleat.

Move cots and furniture away from window covering cords or chains.

Do not remove this label.

WARNING: To avoid creating a possible strangulation hazard for children, the corded internal window covering must be installed in such a way that a loose cord cannot form a loop 220mm or longer at a height of less than 1600mm above floor level.



The cord retaining device must be installed at the maximum distance possible from the control mechanism to prevent looped cords from becoming slack.

Place the retaining device on the wall and mark the position of the screw hole(s) with a pencil.

Attach the retaining device to the wall using the fixings provided.