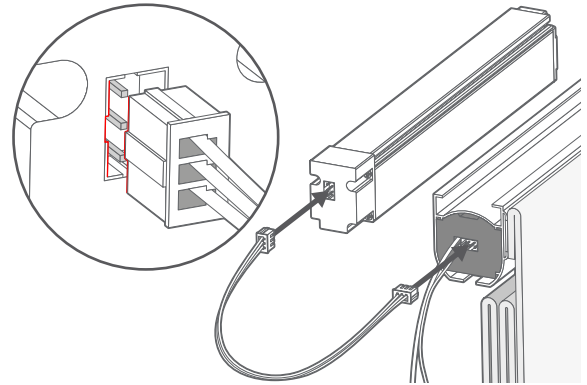
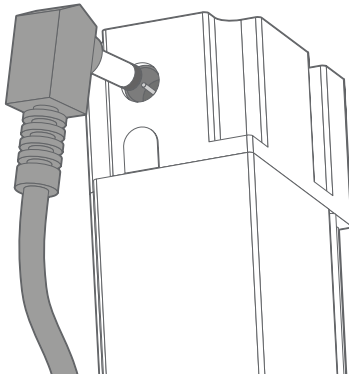


Installing the battery pack

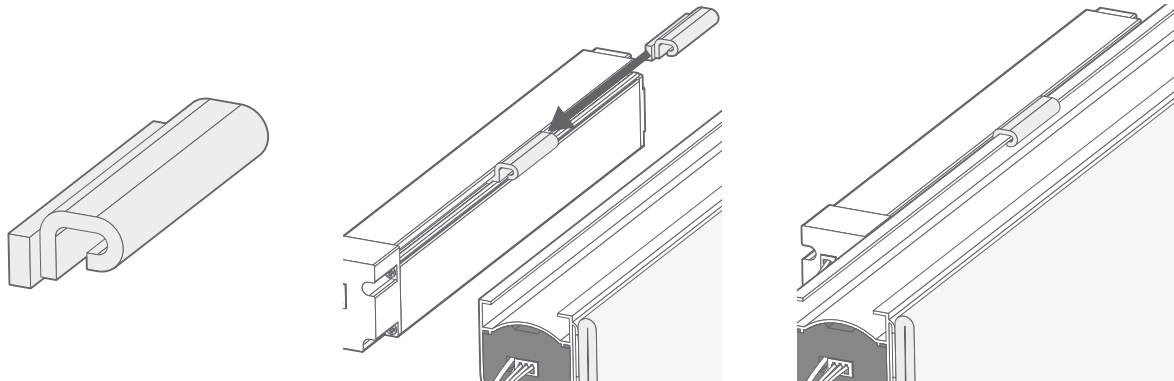
We recommend charging the battery pack before you begin to use the blind, to ensure it starts with a full battery. Use the charger plug included - the LED on the charger plug will turn green when the battery pack is fully charged.

When the battery pack is charged, hook it up to the blind's motor using the motor cable.



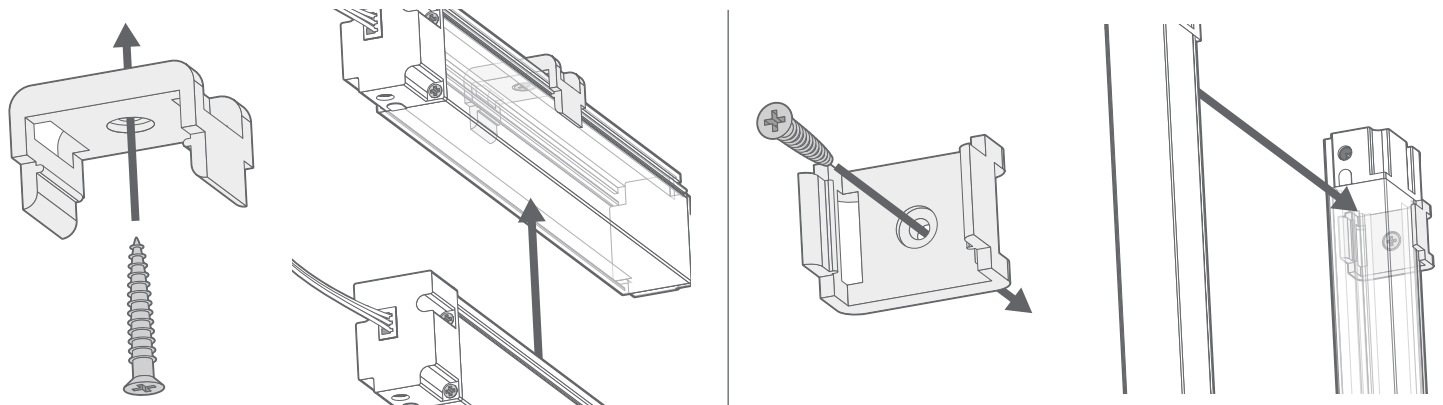
Blinds ordered as 'recess fitting'

Use the 'hook' brackets from the fittings kit to hang the battery pack onto the back of the blind's headrail, as shown.



Blinds ordered as 'exact fitting'

If there is not enough space behind the headrail to hang the battery pack, then it can be fixed to another surface using the 'clip' brackets provided. The clip brackets can be either top-fixed or face-fixed.



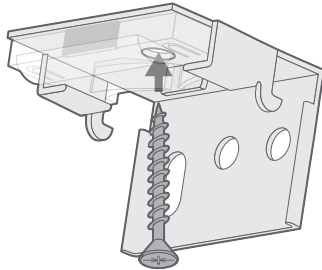
Top-Fixing

Face-Fixing

Fitting the brackets

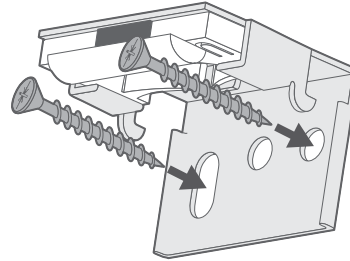
2

The brackets offer two methods of installation:



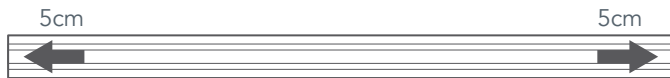
Top-Fixing

Use the single hole in the top of the bracket to fix to the lintel (the 'ceiling' of the recess).



Face-Fixing

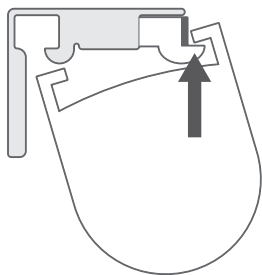
Use two screws through the back plate to mount onto a facing surface (a wall or window frame)



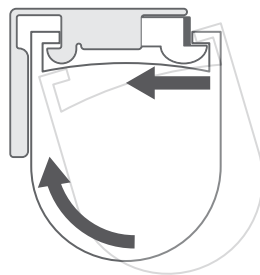
Note that the position of the outermost brackets should be at least 5cm away from the ends of the rail, with any other brackets evenly distributed across the width.

Fitting the blind

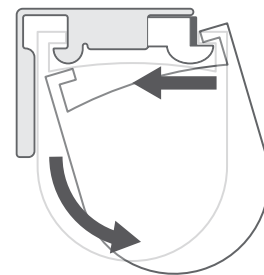
3



Situate the front lip of the headrail into the front of the bracket.



Push the back of the headrail upwards to lock it into the back of the bracket.



To release the blind from the brackets, push firmly against the blind's headrail then, still pushing against it, twist the back of the headrail downwards.

Download the SmartView App

4



On the front of the swing tag that comes with your blind, you'll find a handy QR code you can scan with your phone. Scan this to download the SmartView app - you'll be setting up your blinds in moments!