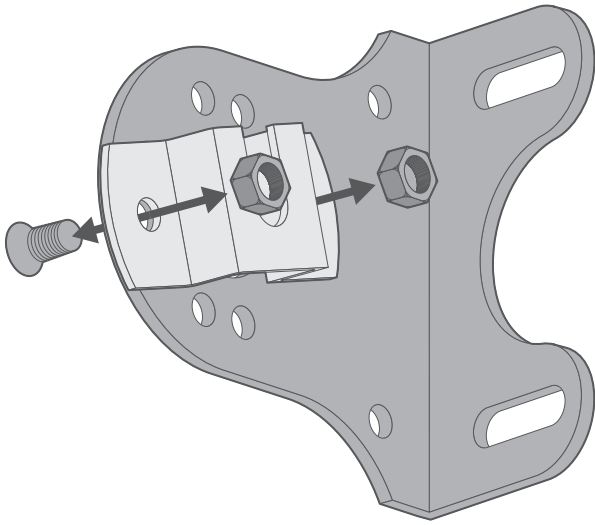
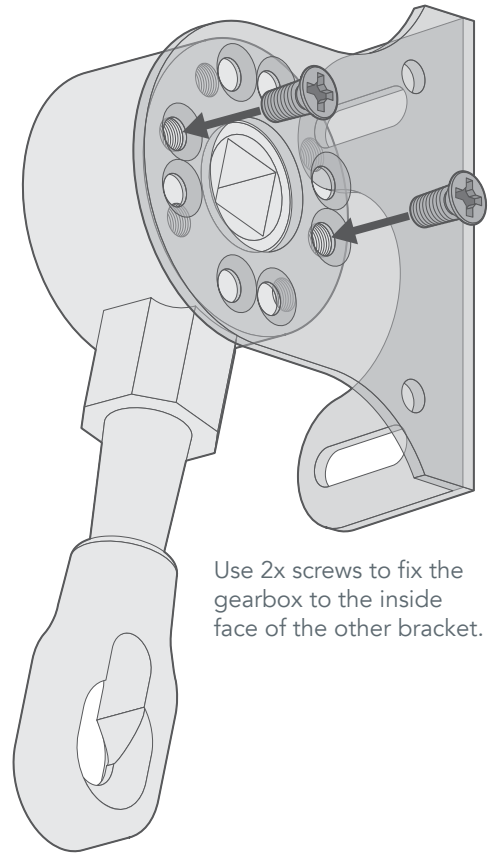


#### Assemble the brackets

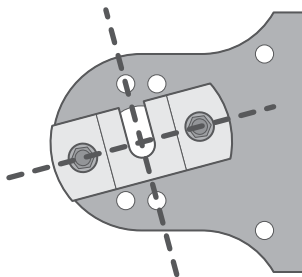
1



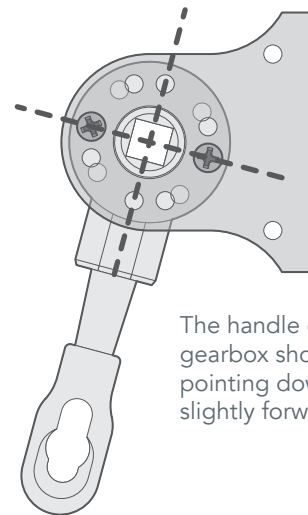
Start by fixing the roller plate to the bracket opposite to the control end. Use 2x nuts & bolts to attach the plate to the inside face of the bracket.



Use 2x screws to fix the gearbox to the inside face of the other bracket.



The cutout in the centre of the plate should be pointing up and slightly forward.

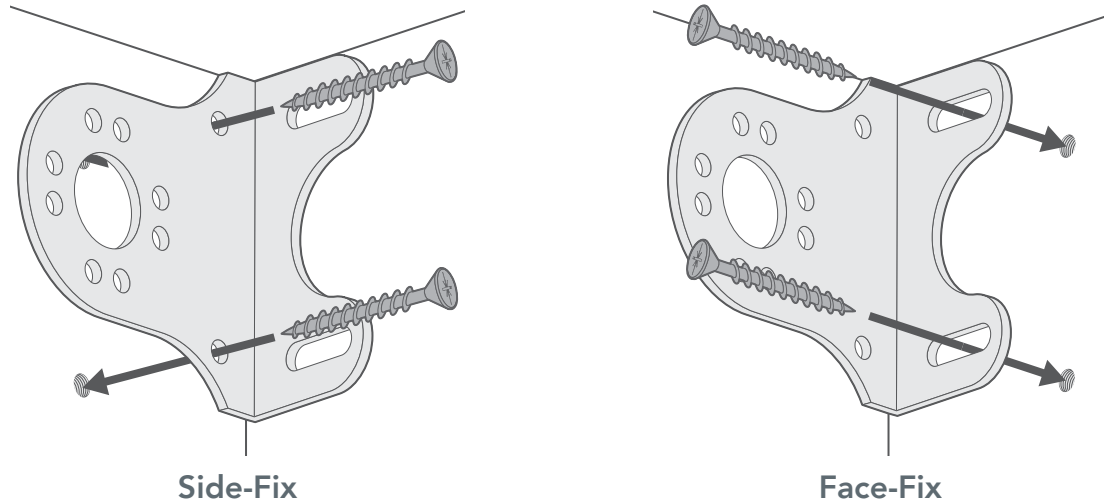


The handle of the gearbox should be pointing down and slightly forward.

**Install the brackets**

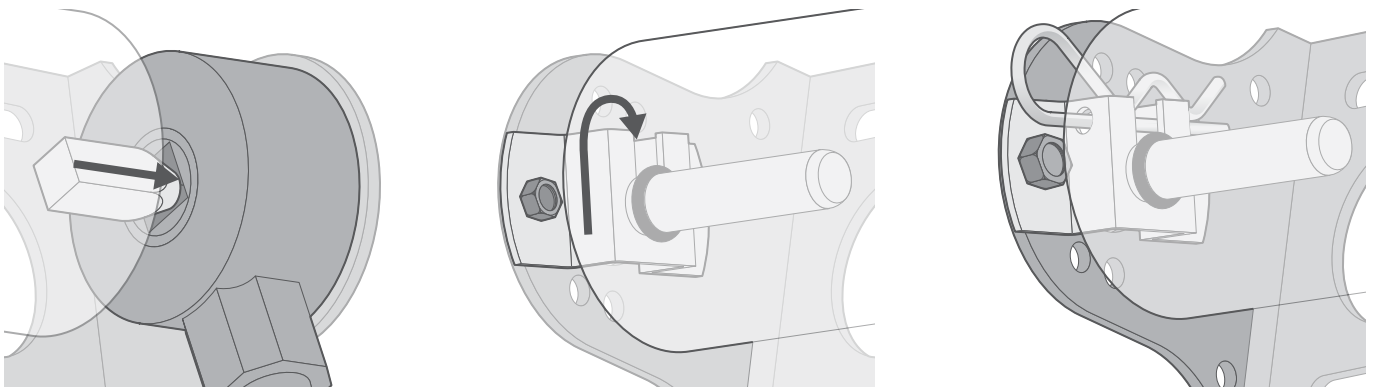
**2**

Use 2x screws and plugs per bracket, to either side-fix the brackets to the inside face of the recess, or face-fix them to the wall or window frame.



**Install the blind**

**3**

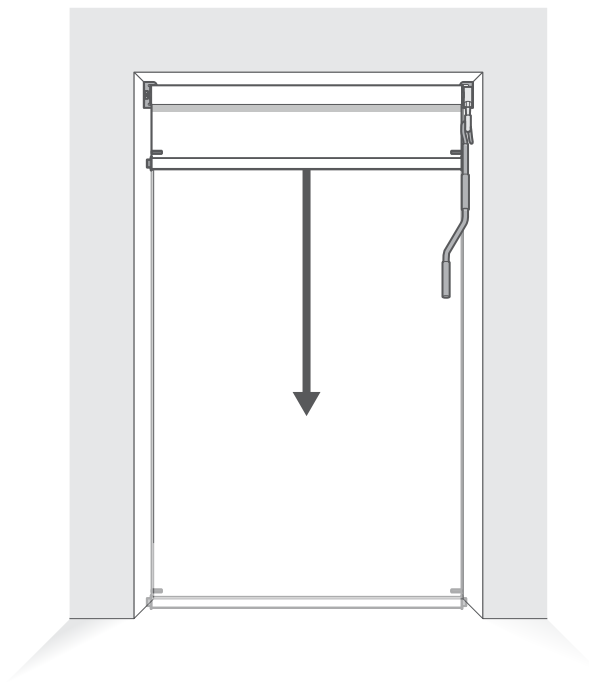
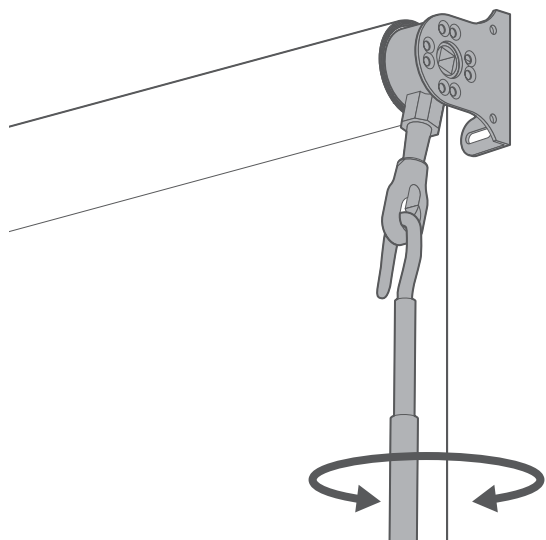


Lift the blind to the brackets and slot the square peg on one end of the blind into the corresponding hole in the gearbox.

Slot the roller pin into the end of the roller, then raise that end and drop the groove of the roller pin into the cutout in the roller plate.

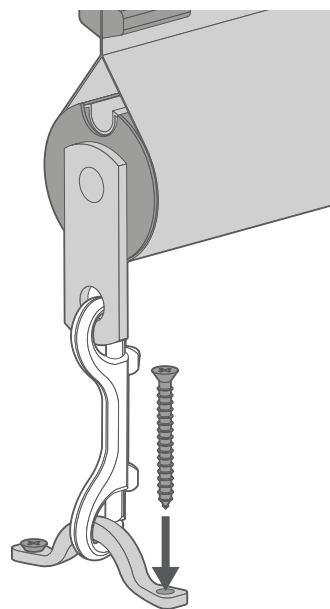
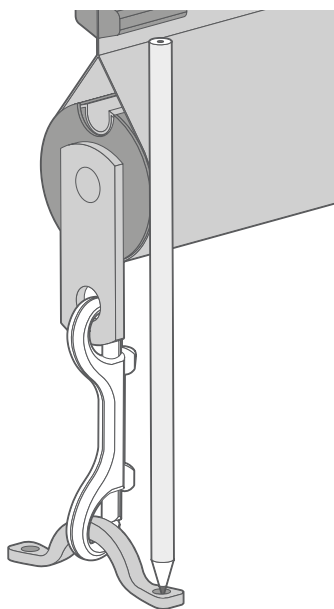
Secure the blind by slotting the R pin through the roller plate.

Hook the crank handle onto the blind's crank, then use it to fully lower the blind.



Attach the double trigger clip to the blind's bottom bar and to the retaining bracket, then mark the screw holes of the retaining bracket on the ground.

Drill a hole at each mark then screw the retaining bracket into the ground.



The retaining brackets at each side will hold the fabric in place when it's windy out. When you want to raise the blind, simply unclip the bottom of the blind on each side from the trigger clips.